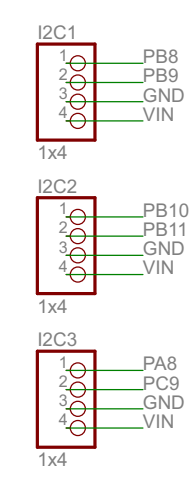
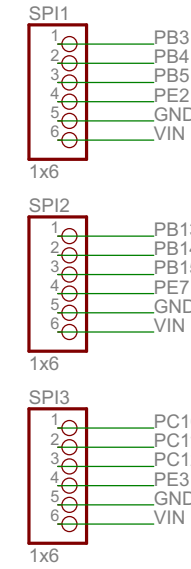
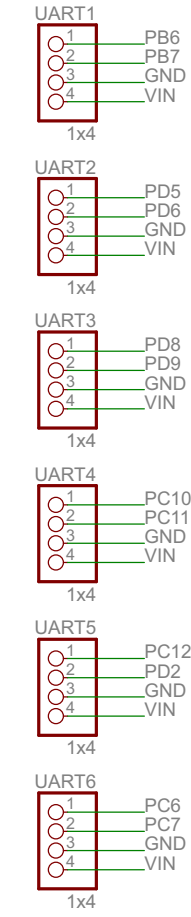
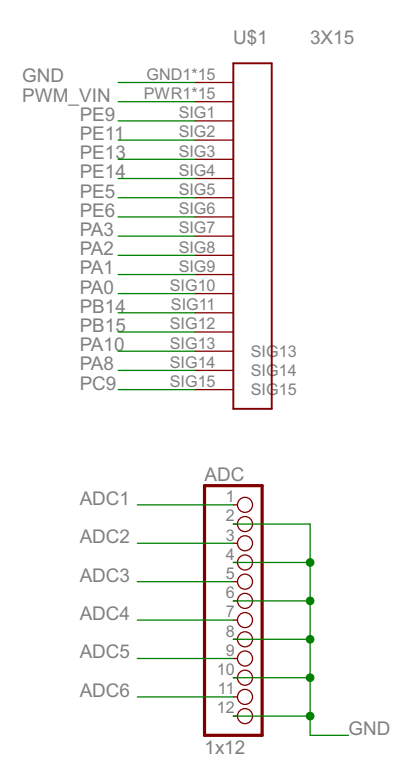
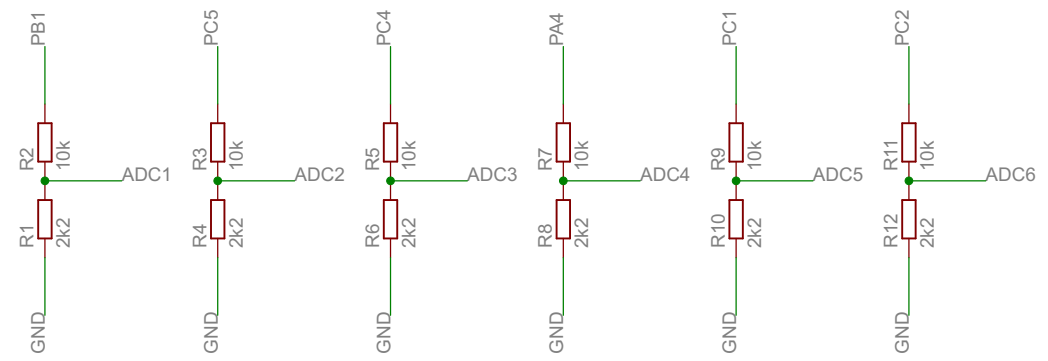


In most cases, BOOT1 is not needed



PAPARAZZI Penguin logo
PAPARAZZI Penguin logo

- H5 MOUNT-HOLE3.0
- H6 MOUNT-HOLE3.0
- H7 MOUNT-HOLE3.0
- H8 MOUNT-HOLE3.0



STM32F4 Discovery Daughterboard version 1