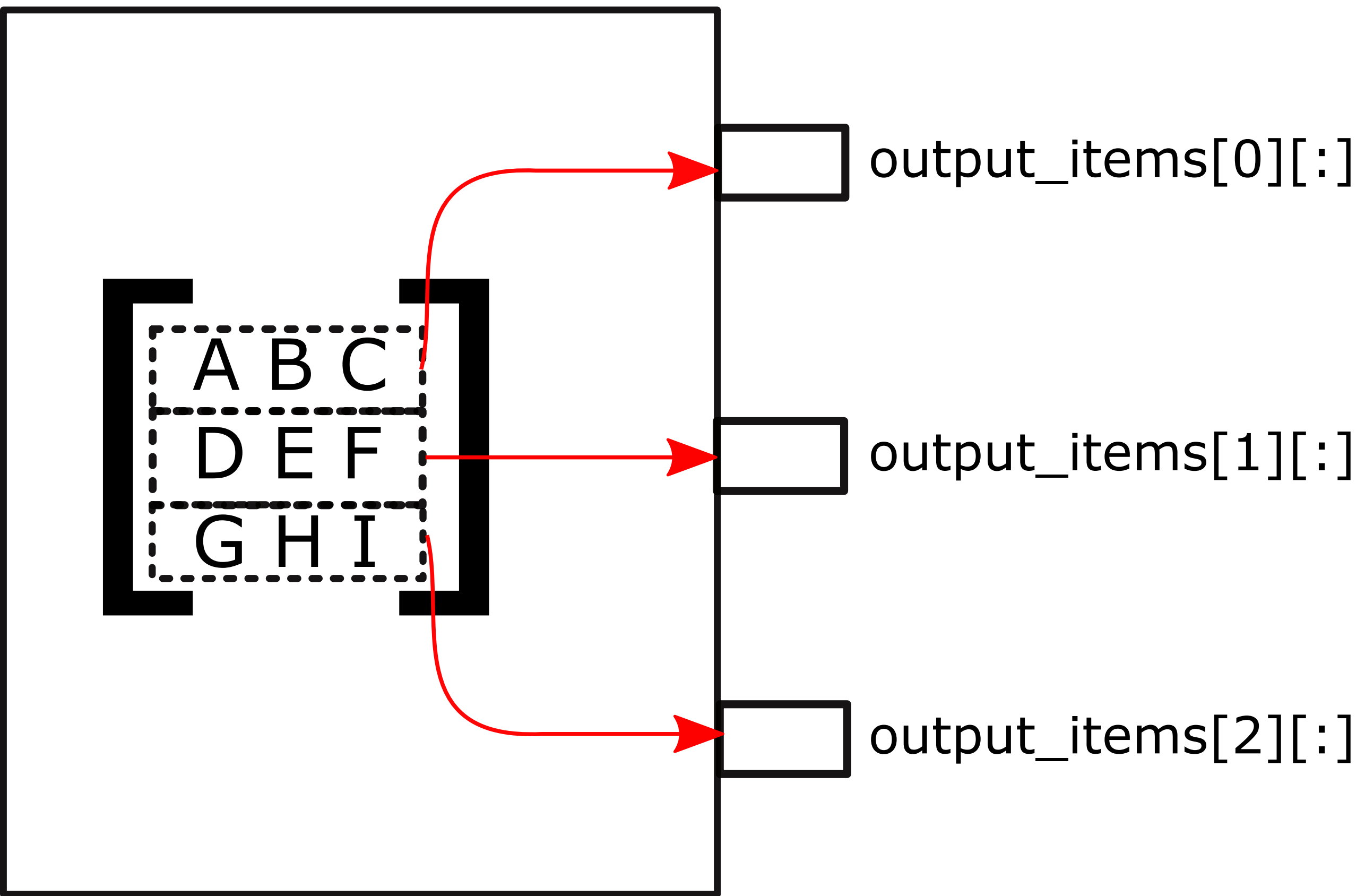


The way it works

Python Block



The way I would like it to be

Python Block

